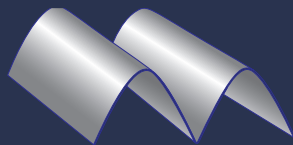


UNITY

Aluminium Rainscreen Panels



METALLINE[®]
ARCHITECTURAL FABRICATIONS

Residential

Commercial

Office

UNITY RAINSCREEN PANELS

A NON-COMBUSTIBLE PANEL THAT DELIVERS BOTH TECHNICALLY AND AESTHETICALLY.

SUITABLE FOR **NEW BUILD** PROJECTS AND FOR THE **REPLACEMENT** OF NON-COMPLIANT CLADDING.

UNITY Rainscreen Panels is a non-combustible (A1 fire rated to EN13501-1), solid aluminium cladding panel. The panel delivers functionally without compromising on architectural creativity.

The Unity Rainscreen panel possesses exceptional mechanical properties and is recognised for its strength and durability. Dependant on the specification, fabrication processes can involve folding, routing, curving, punching, and perforating. Panels can be finished in a variety of colours to meet even the most imaginative requirement.

UNITY | CONTENTS

F2F Floor 2 Floor Rail System	4
TF Through Fix Rainscreen System	6
A1DF Discrete Fix Rainscreen System.....	7
A1IL Interlocking Rainscreen System	8
A1SF Secret-Fix Rainscreen System	9
A1PS Interlocking Plank & Soffit System.....	10



A1 classification to EN13501-1



Limitless colour options



Low maintenance



High resistance to UV



Extremely flat



Strong and durable





UNITY RAINSCREEN PANELS

PERFECT FOR THE **REPLACEMENT**
OF COMBUSTIBLE **ACM** AND **HPL**
PANELS.

THE SYSTEM

The Unity Rainscreen panel has been designed to deliver a non-combustible solution for typical rainscreen cladding applications. The system can be fitted as either a cassette or a flat-faced panel, fixed onto a suitably designed support framework.

THE PANEL

The Unity Rainscreen panel is produced using a solid aluminium non-combustible substrate. This high performance panel can be either anodised or colour coated using a continuous coil-coating process.

THE FINISHES

Coil Coated Aluminium

The continuous coil-coating process uses high performance paint systems which are known for their superior quality, high resistance to UV, weather, seawater and industrial pollution. It produces an excellent colour consistency and is predominantly the material of choice for external architectural applications.

High quality paint systems can be applied in 2, 3 or 4 paint layers in all RAL colours, EURAS anodised colours, patina, stone, zinc, wood and iridescent effect finishes in all gloss levels. A full colour matching service is available upon request.

Anodised

Anodising enriches the natural abilities of aluminium. It guarantees a strong contemporary finish that is tough, durable and corrosion resistant. A range of colours are available including natural silver, black, bronzes from light to dark, regency gold 1 & 2, plus specialist Anolok in blue-grey and stone-grey.



UNITY

Aluminium Rainscreen Panels

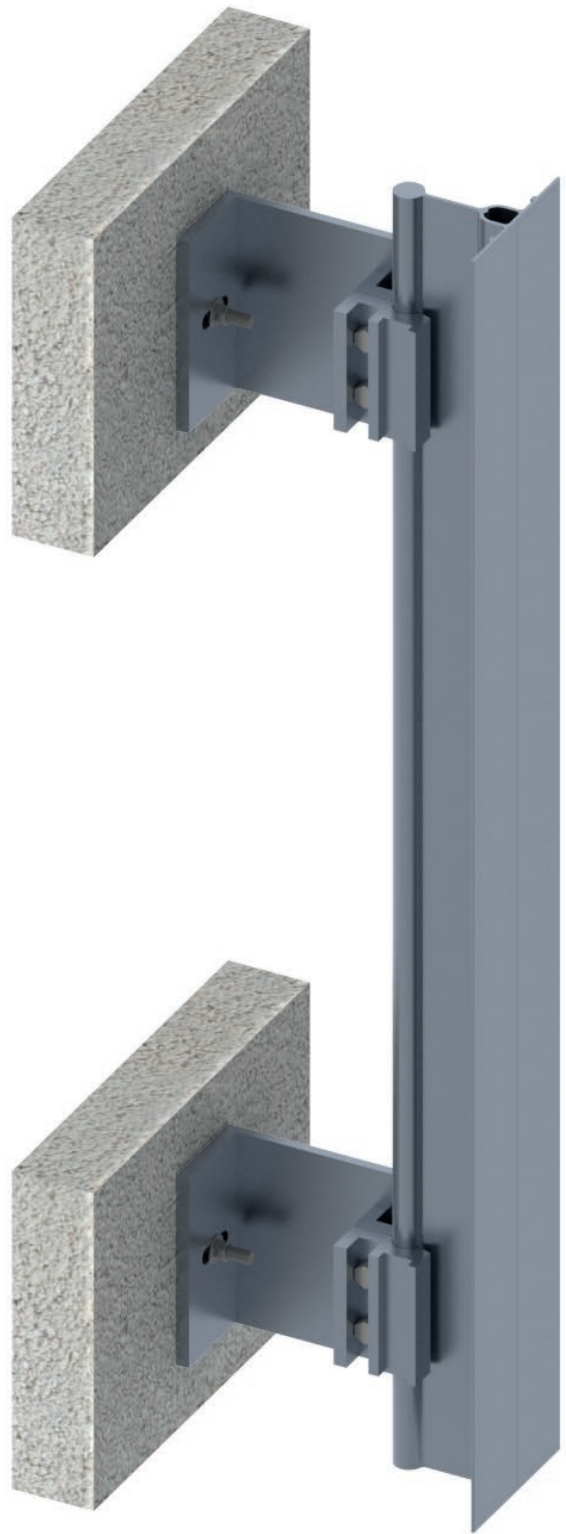
F2F

Rail System

A FLOOR 2 FLOOR framing system that saves time and money on installation costs, allows for maximum adjustment and reduces the need for fixings and brackets by up to 90%

Spanning floor slab to floor slab, the F2F system reduces the requirement for multiple 'Helping Hand' brackets and supporting top hats.

Our ball and socket design ensures a perfect alignment of the rail front face.



Simplifies design and installation



Reduces labour costs



Maximum adjustment in all directions



Ideal for use with faceted facades



Avoids fixing into non-structural infill



Solid Aluminium - Non-combustible

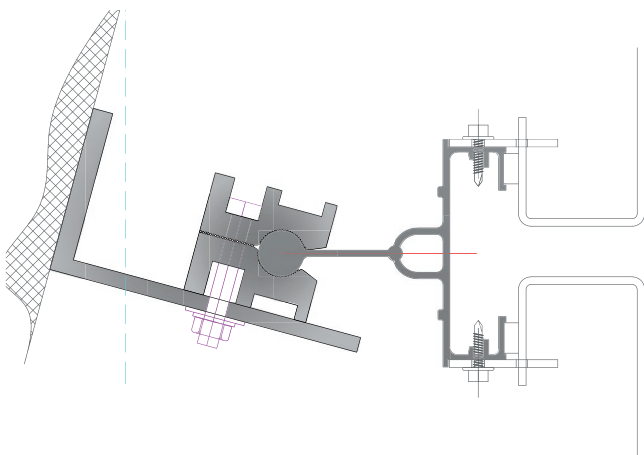
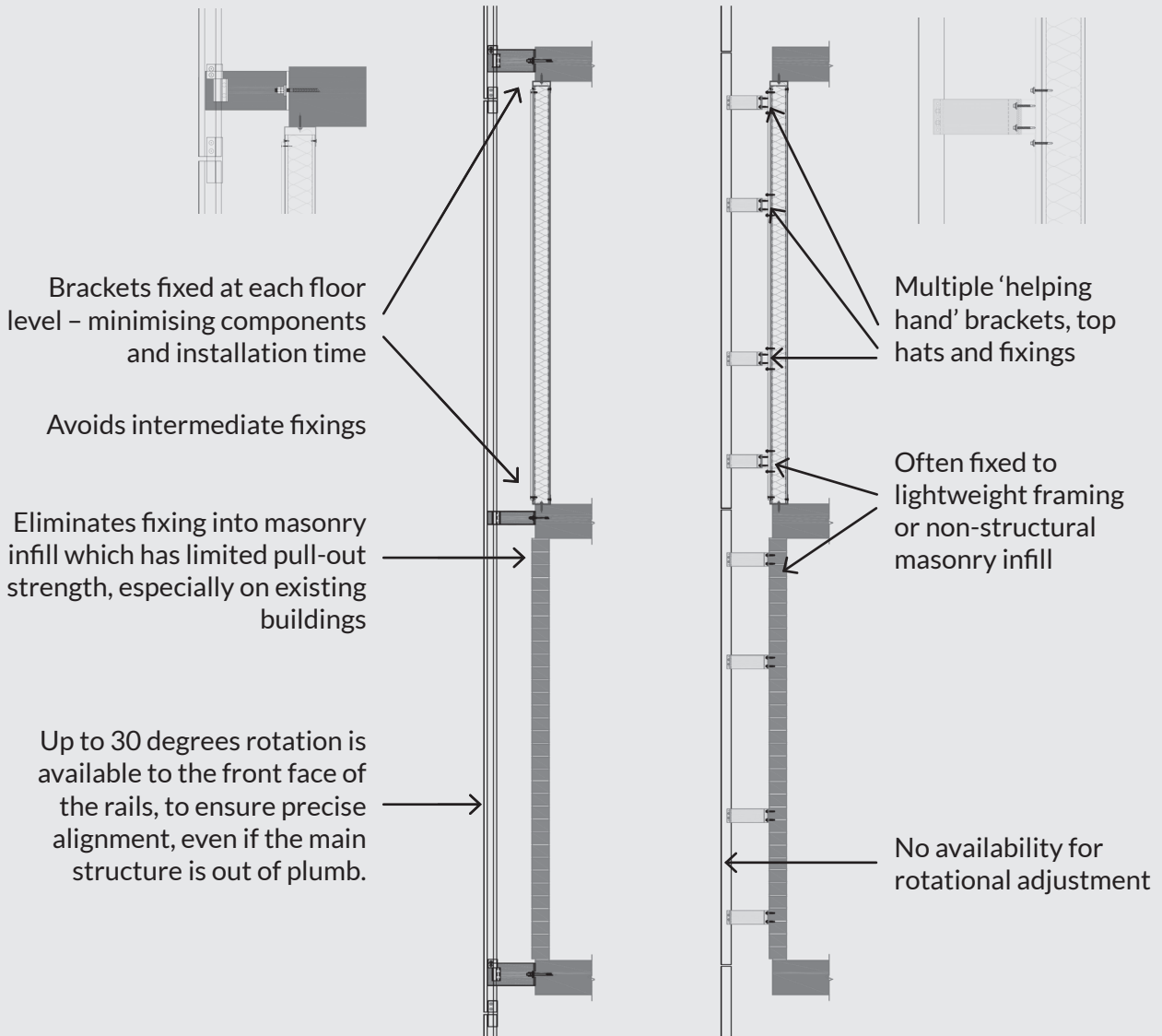


Sectional properties available upon request

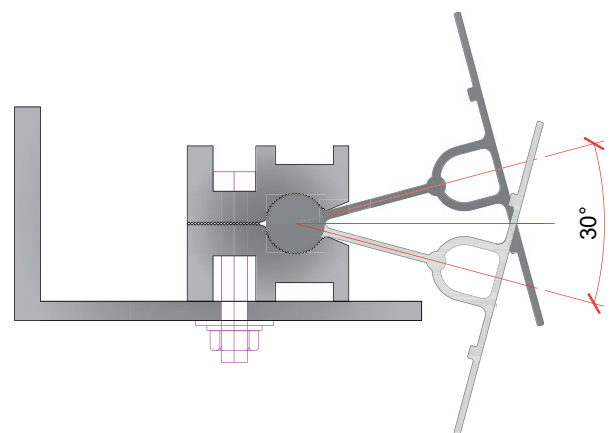
External Facade Fixing Options

The Unity
F2F System

Traditional Helping
Hand System



Ideal for high rise developments and cladding replacements. The maximum amount of adjustability helps to tackle the challenges often prevalent on existing buildings.



Our ball and socket design allows up to 30 degrees rotation to the front face of the rail.

UNITY

Aluminium Rainscreen Panels

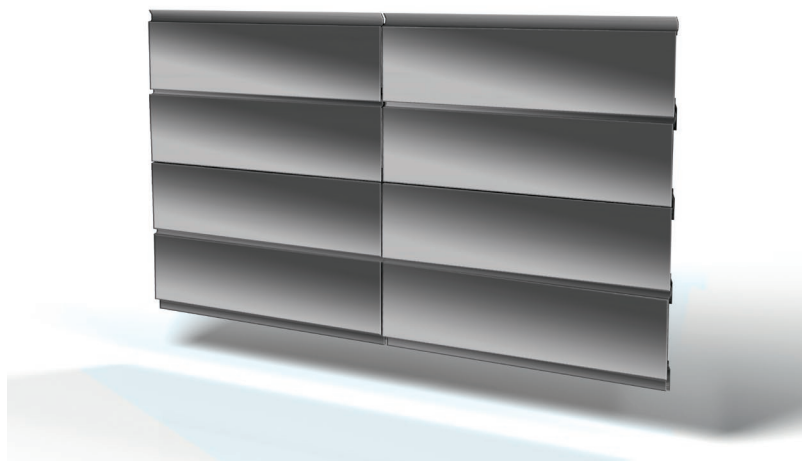
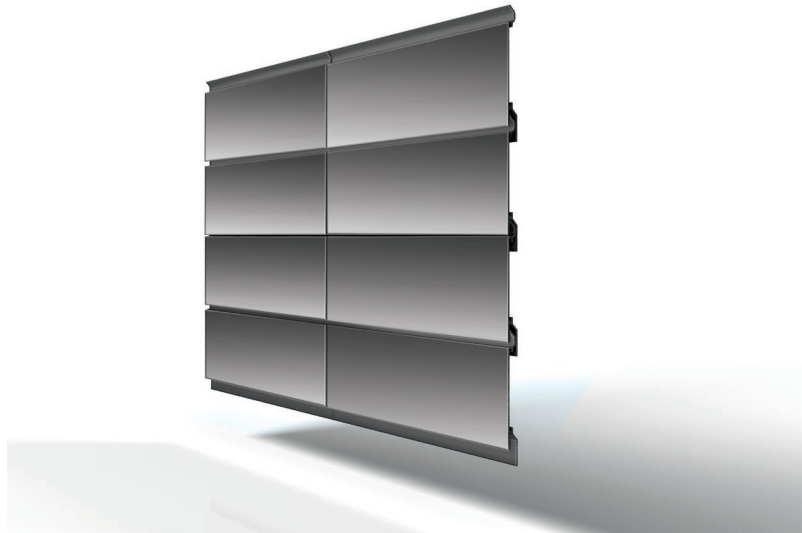
X-TRU

Extruded Plank System

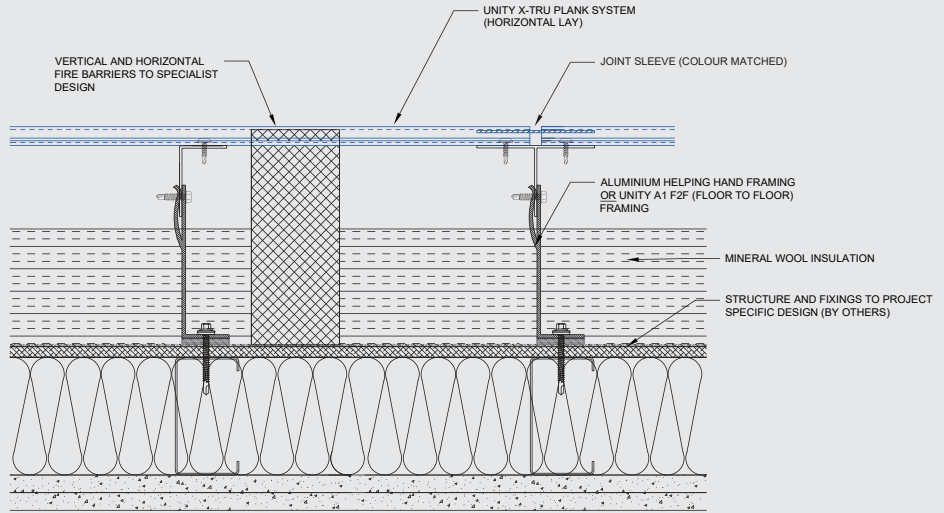
X-TRU is a new aluminium extruded plank system that has been added to the Unity Rainscreen range. Unity X-TRU is a cost effective cladding solution designed with simplicity and versatility in mind, making it the perfect solution for both new builds and the replacement of non-compliant ACM, HPL and timber cladding.

This system is particularly suited to buildings where dangerous timber cladding is present and needs replacing, our Wood Grain effect PPC finish offers an A2-S1, d0 reaction to fire certification to EN13501-1.

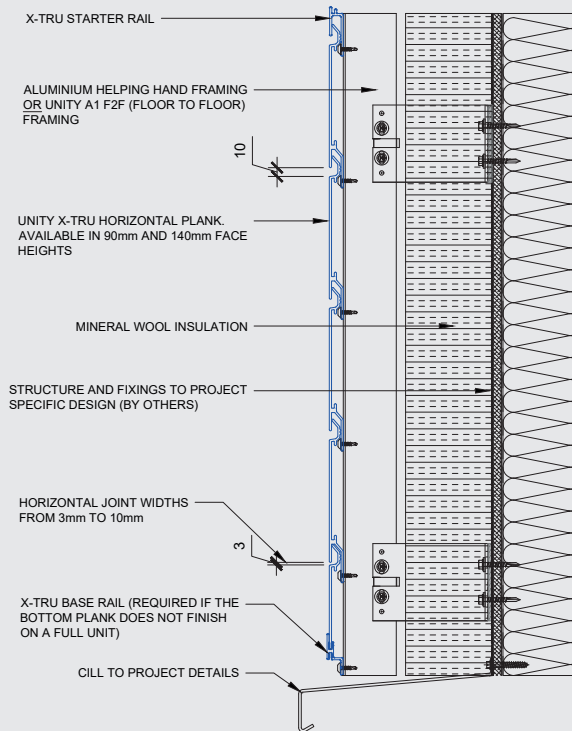
- Seamless design
- Independently tested & certified to Fire Safety classifications
- A1 & A2 non combustible
- Accurate & Robust
- Multitude of finishing options available. Timber/Wood Grain effect, PPC and Anodised.
- Variety of lengths available
- Installed Horizontally or Vertically
- Recyclable
- Easy to install & secret fix



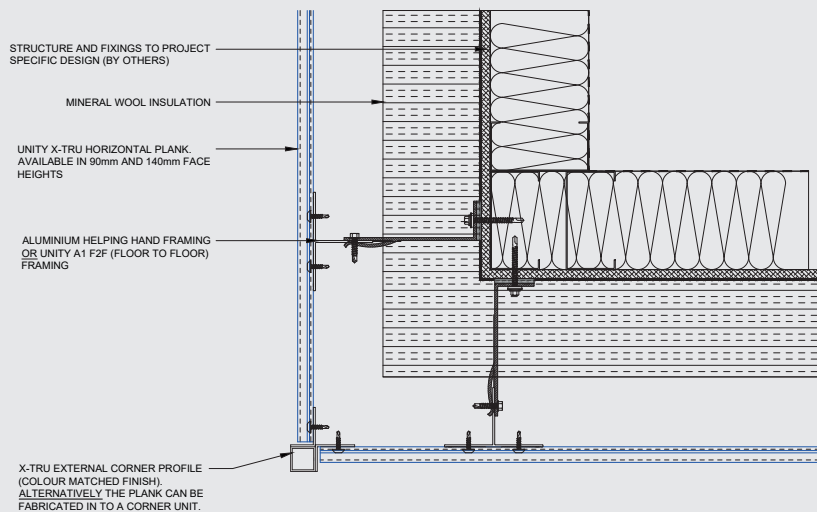
Vertical Joint



Horizontal Joint



External Corner



UNITY

TF

Aluminium Rainscreen Panels

A Through Fix Rainscreen System

- Face fixed non-combustible solid aluminium rainscreen panel with a durable, high performance finish.
- Panels compatible with our Unity F2F framing system or a traditional 'Helping Hand' installation.
- Colour matched through fixings provide a clean aesthetic finish whilst remaining a cost effective solution.



A1 classification to EN13501-1



Colour options



High resistance to UV



Strong and durable



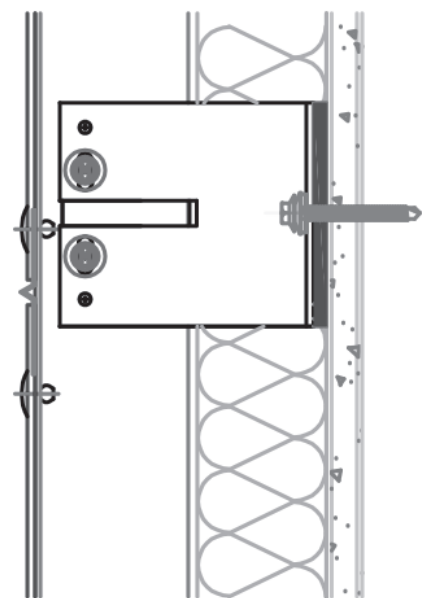
Cost effective solution



Ease of installation



Perfect for HPL and ACM replacement panels

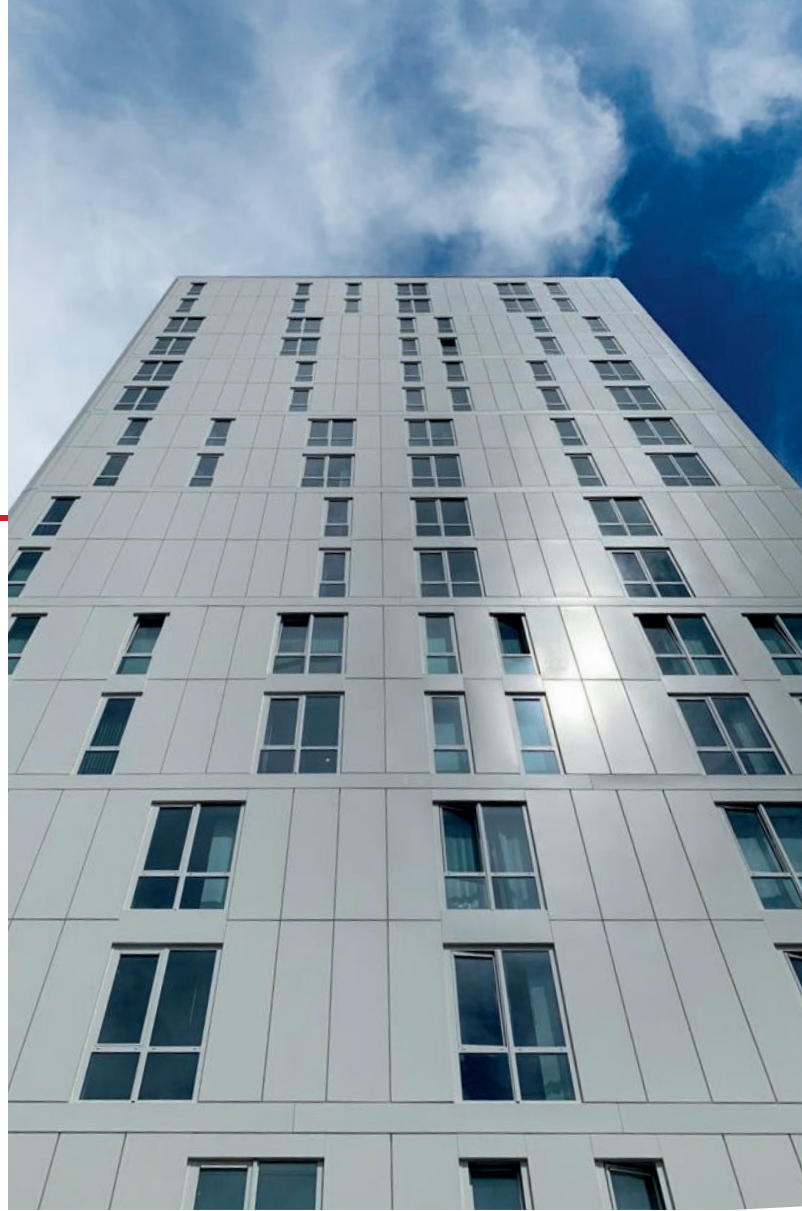


UNITY DF

Aluminium Rainscreen Panels

A Discrete Fix Rainscreen System

- Versatile non-combustible cassette systems with a durable, high performance finish.
- Panels compatible with our Unity F2F framing system or a traditional 'Helping Hand' installation.
- Discrete fixings provide a streamlined appearance, whilst remaining quick and easy to install.



A1 classification to EN13501-1



Colour options



High resistance to UV



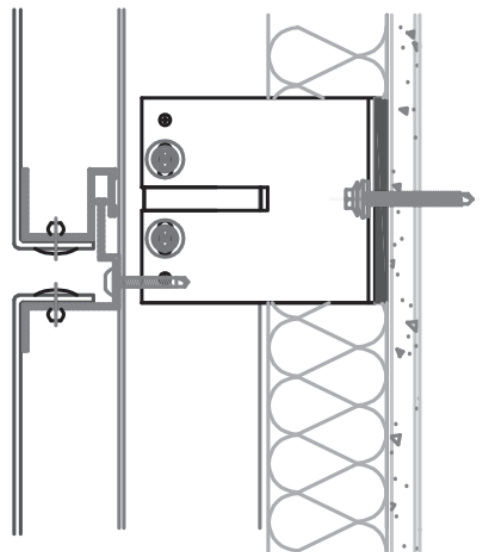
Strong and durable



Ease of installation



Available in landscape and portrait panel orientation



UNITY

Aluminium Rainscreen Panels

IL

An Interlocking Rainscreen System



- Interlocking non-combustible solid aluminium rainscreen panel with durable, high performance finish.
- Panels compatible with our Unity F2F framing system or a traditional 'Helping Hand' installation.
- Interlocking nature of the system ensures no visible fixings and a smooth clean appearance.



A1 classification to EN13501-1



Colour options



High resistance to UV



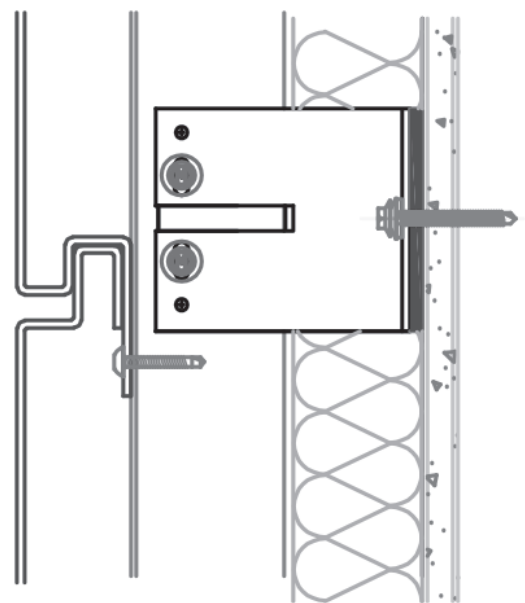
Strong and durable



Ease of installation



No visible fixings

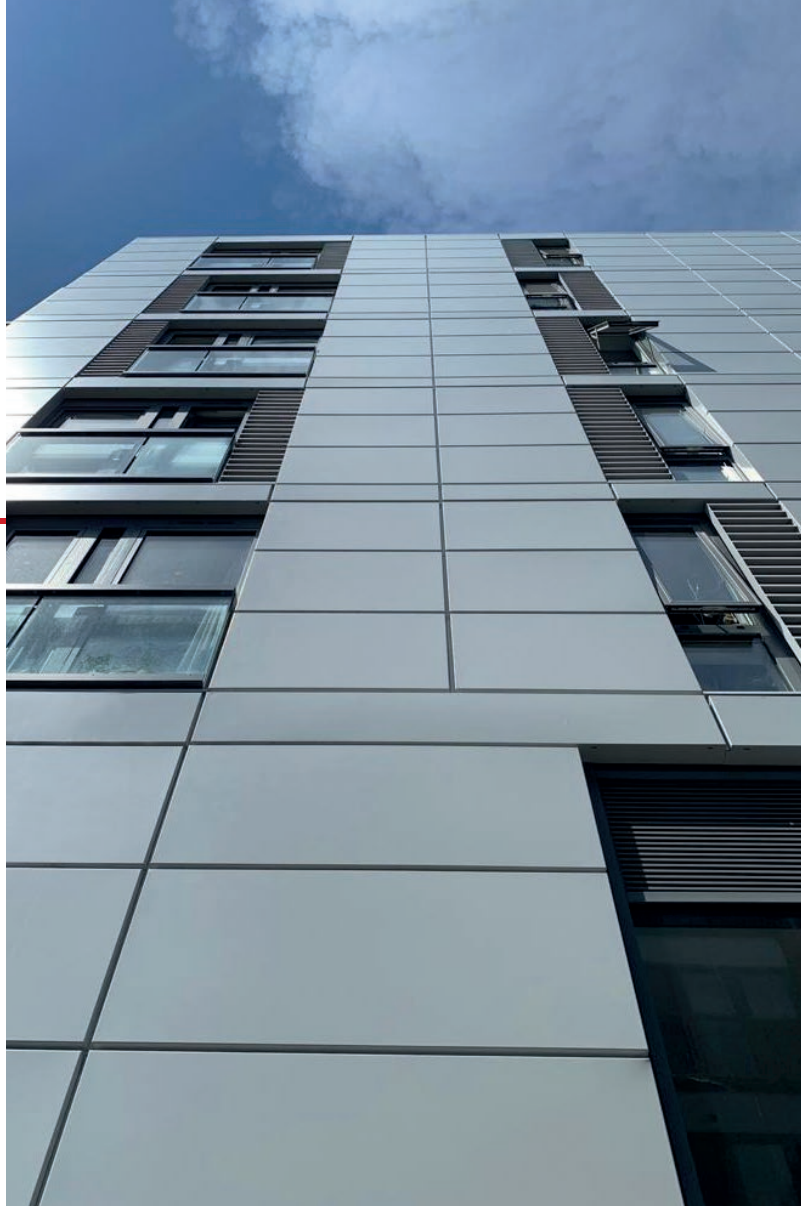


UNITY SF

Aluminium Rainscreen Panels

A Secret-Fix Rainscreen System

- “Hook on” secret fix non-combustible cassette system with a durable, high performance finish.
- Panels compatible with our Unity F2F framing system or a traditional ‘Helping Hand’ installation.
- Secret fixings provide a streamlined appearance whilst remaining quick and easy to install.



A1 classification to EN13501-1



Colour options



High resistance to UV



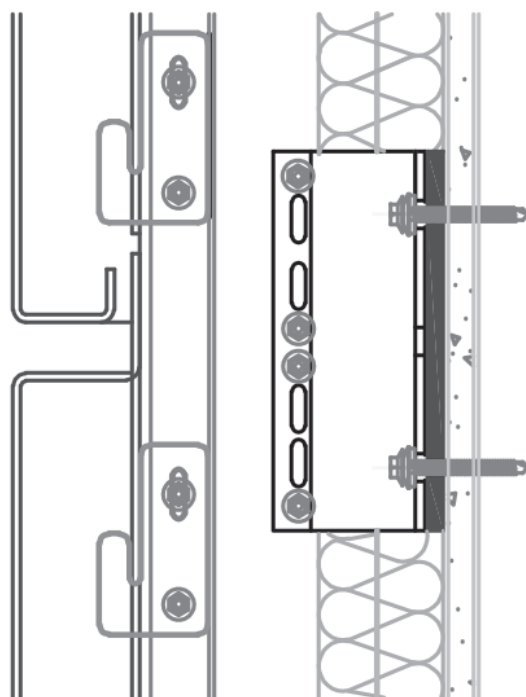
Strong and durable



Ease of installation



No visible fixings



UNITY PS

Aluminium Rainscreen Panels

An Interlocking Plank & Soffit System

- Interlocking non-combustible solid aluminium rainscreen panel with a durable, high performance finish.
- Cost effective and easy to install.
- Offers maximum design flexibility.
- Interlocking nature of the system ensures no visible fixings.



A1 classification to EN13501-1



Colour options



High resistance to UV



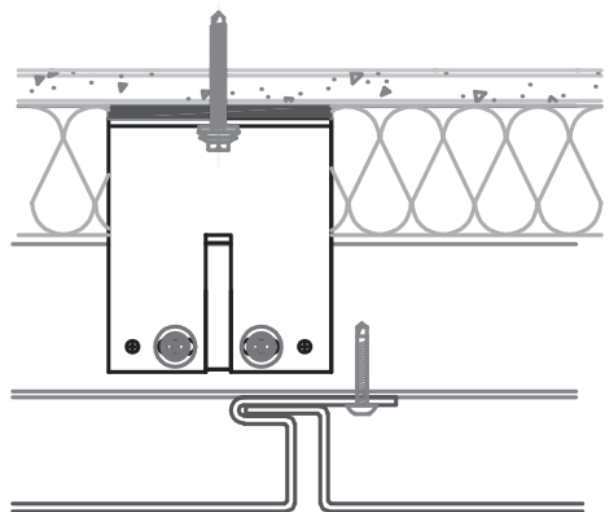
Strong and durable



Ease of installation



No visible fixings



Material:

- Coil Coated: Grade 3005/ H42*
- Grade J57S UP, anodised to BS 3987
- A1 non-combustible to DIN/ EN13501-1

**Alternative grades and tempers may be used according to project specific design requirements*

Testing & Certification:

- Tested to BS8414-2 Fire Performance of External Cladding Systems
- BR135 Compliant

All our Unity systems follow the guidelines for rainscreen cladding recommended by the CWCT

In order to gain the necessary certification our panels completed the following tests, in accordance with the Standards for Systemised Building Envelopes CWCT 2006.

- Weathertightness – Dynamic
- Wind Resistance – Serviceability
- Wind Resistance – Safety
- Soft Body Impact
- Hard Body Impact

Typical details available for all systems in DWG and PDF formats

All panel systems are also available in polyester powder coated finishes (Reaction to fire classification – A2-s1,d0)





METALLINE[®]
ARCHITECTURAL FABRICATIONS

Metalline (Services) Limited
Hollies Park Road, Cannock, Staffordshire, WS11 1DB
www.metalline.co.uk | +44 (0)1543 456 930 | sales@metalline.co.uk